



LNB

C-BAND EXT. REF.

3000X

TYPICAL SPECIFICATIONS

Noise temperature	20K to 30K depending on model number
L.O. stability (over temperature excl offset)	Phase Locked to External Reference
Phase noise (SSB)	-73 dBc/Hz at 1kHz -83 dBc/Hz at 10kHz -93 dBc/Hz at 100kHz
Input VSWR	2.3 : 1
Output VSWR	2.0 : 1



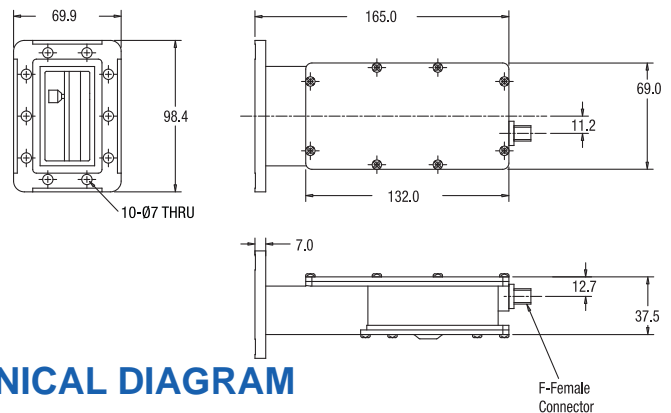
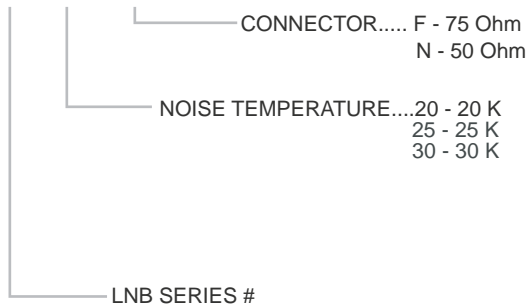
Conversion gain	62 dB
Output P1dB	5 dBm
Power requirements	+15 to +24 V supplied through center conductor of IF cable
Current drain	200 mA
Dimensions	180 (L) x 100 (W) x 70 (H) mm (7.1 x 4.0 x 2.8 in)
Weight	425g / 15 oz
Ext Ref Frequency	10 MHz (sine-wave) -10 to 0 dBm @ Input

FREQUENCY BANDS AVAILABLE

Input frequency (GHz)	3.40 to 4.20
L.O. frequency (GHz)	5.15
Output frequency (MHz)	950 to 1750

HOW TO ORDER C-BAND 3000X

3020XN



MECHANICAL DIAGRAM