



# BUC

## KU-BAND 1081XRT

### 8W NON-INVERTED

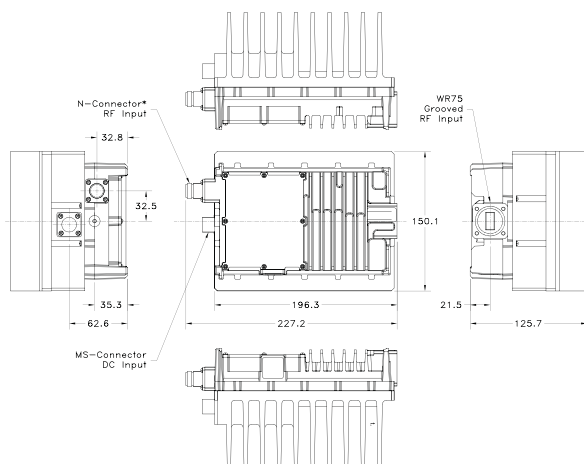
#### TYPICAL SPECIFICATIONS

Output frequency	13.75 to 14.50 GHz (14.00 to 14.50 GHz)
Input frequency	950 to 1700 MHz (950 to 1450 MHz)
Output to P1dB	39 dBm
L.O. frequency	12.80 GHz (13.05 GHz)
Input VSWR	2.0 : 1
Output VSWR	2.1 : 1
Phase noise (SSB)	-70 dBc/Hz at 1kHz -80 dBc/Hz at 10kHz -90 dBc/Hz at 100kHz
External reference signal frequency	10 MHz
Power requirements	BUC: 48V BUC & AC PS: 110V BUC & AC PS: 220V
Power consumption	BUC: 80 W BUC & AC PS: 94W BUC & AC PS: 91W
Dimensions	BUC: 230 (L) x 130 (W) x 130 (H) mm (9.1 x 5.1 x 5.1 in) PS: 258 (L) x 149 (W) x 73 (H) mm (10.2 x 5.9 x 2.9) in
Weight	BUC 4.0 kg / 8.8 lb PS 2.0 kg / 4.4 lb



External reference level	-5 to +5 dBm
10 MHz external reference phase noise	-135 dBc/Hz at 100 Hz -140 dBc/Hz at 1 kHz -150 dBc/Hz at 10 Hz
Gain (including variation over temperature and frequency)	56 dB min 66 dB max
Gain stability over temperature	±2.25 dB at any constant frequency
Gain stability in-band at any constant temperature	±1.0 dB in any 54 MHz band ±3.0 dB over full 750 MHz band

**Fully Contained including Universal Outdoor AC Power Supply, Universal BUC Support Brackets, 3m Cable and AC Power Supply cord connectors - AC PS Cable not included**



#### MECHANICAL DIAGRAM

#### HOW TO ORDER KU-BAND 1081XRT

### 1081XRTNE

